

DIXIE-NARCO

Service Bulletin

126

Date: 5/3/71
Revised: 9/8/71
* Added

MODELS: All Seventies Series Serpentine with the delivery port located through the access door (example - DM175-5)

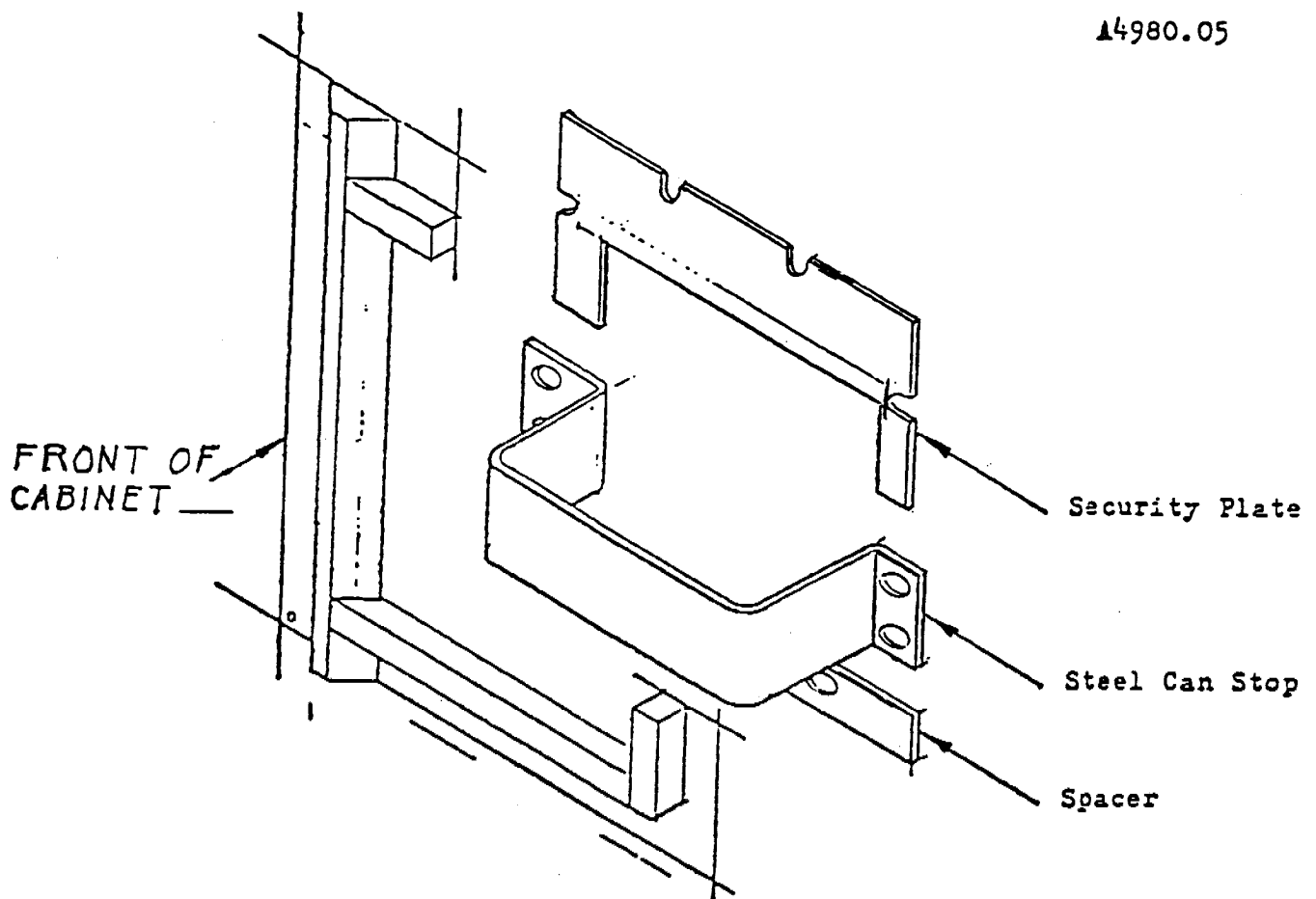
SUBJECT: Metal Can Stop to replace plastic can stop.

REASON: To provide a part less subject to breakage due to vandalism.

ORDER AS: B/M142,011,400.04 Steel Can Stop Kit

- DO THIS:**
1. Metal Can Stop may be installed without removing access door.
 2. Remove trim, angle frame, and plastic can stop.
 3. Reassemble, installing metal can stop where plastic can stop was. Metal can stop should be secured with one screw at each end at top. Plastic strip fits along bottom and is secured with two screws.

A4980.05



KIT CONSISTS OF:

1	A142,010,140.03	Steel Can Stop
1	A142,010,150.03	Spacer
* 1	A1290.05	Security Plate

Dixie-Narco, Inc.
Service Department